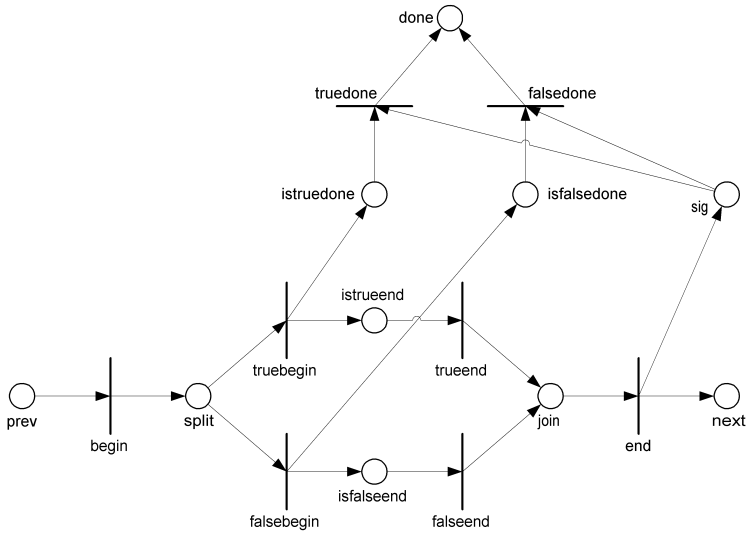
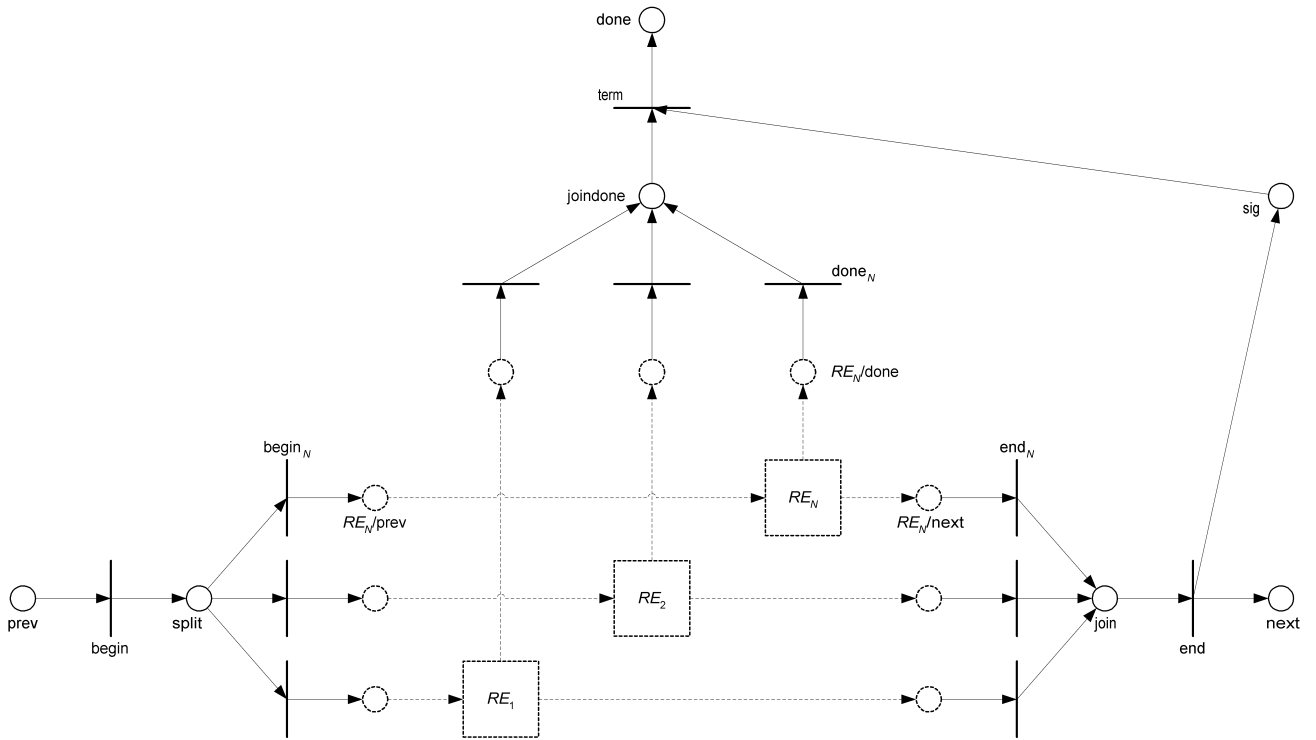


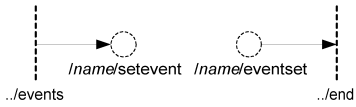
Choice



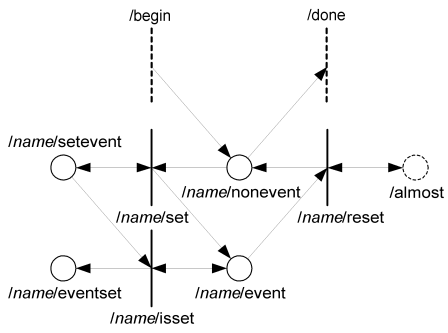
Condition



Event

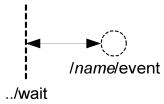


First occurrence

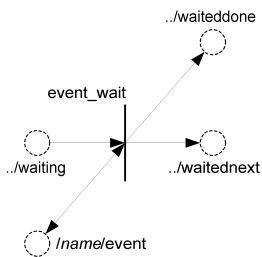


Eventref

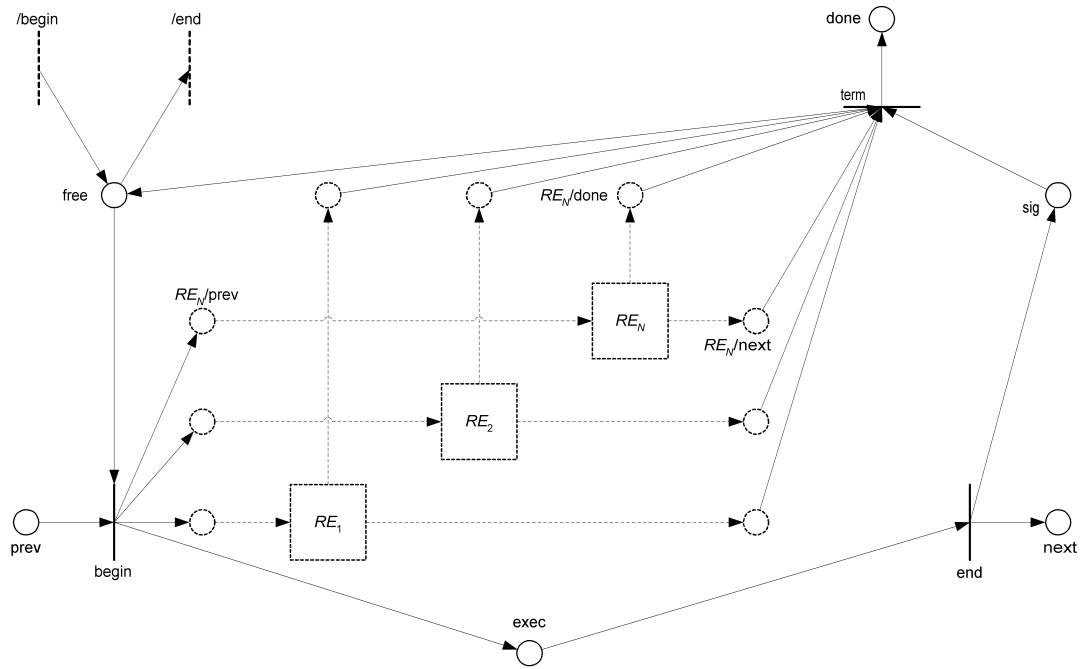
Parent is wait_all



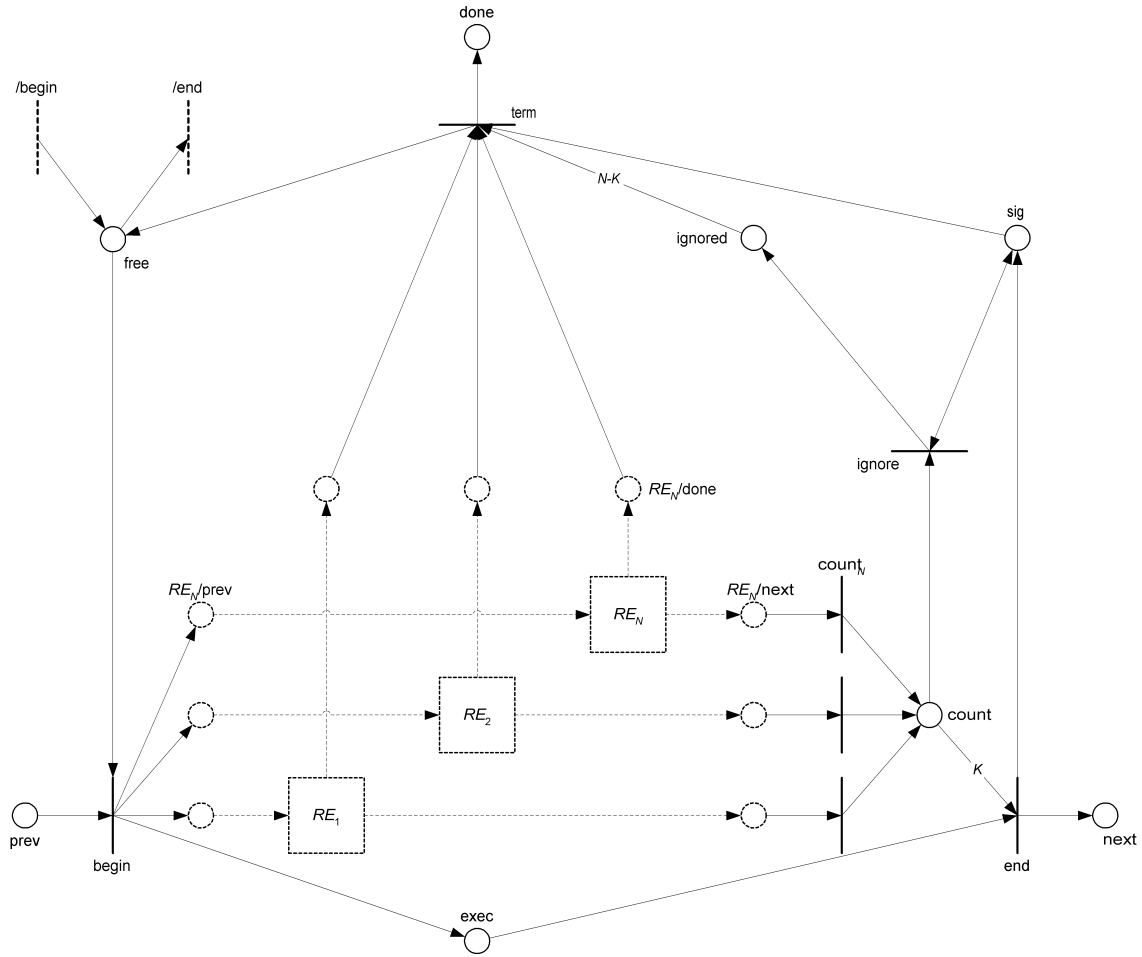
Parent is wait_any



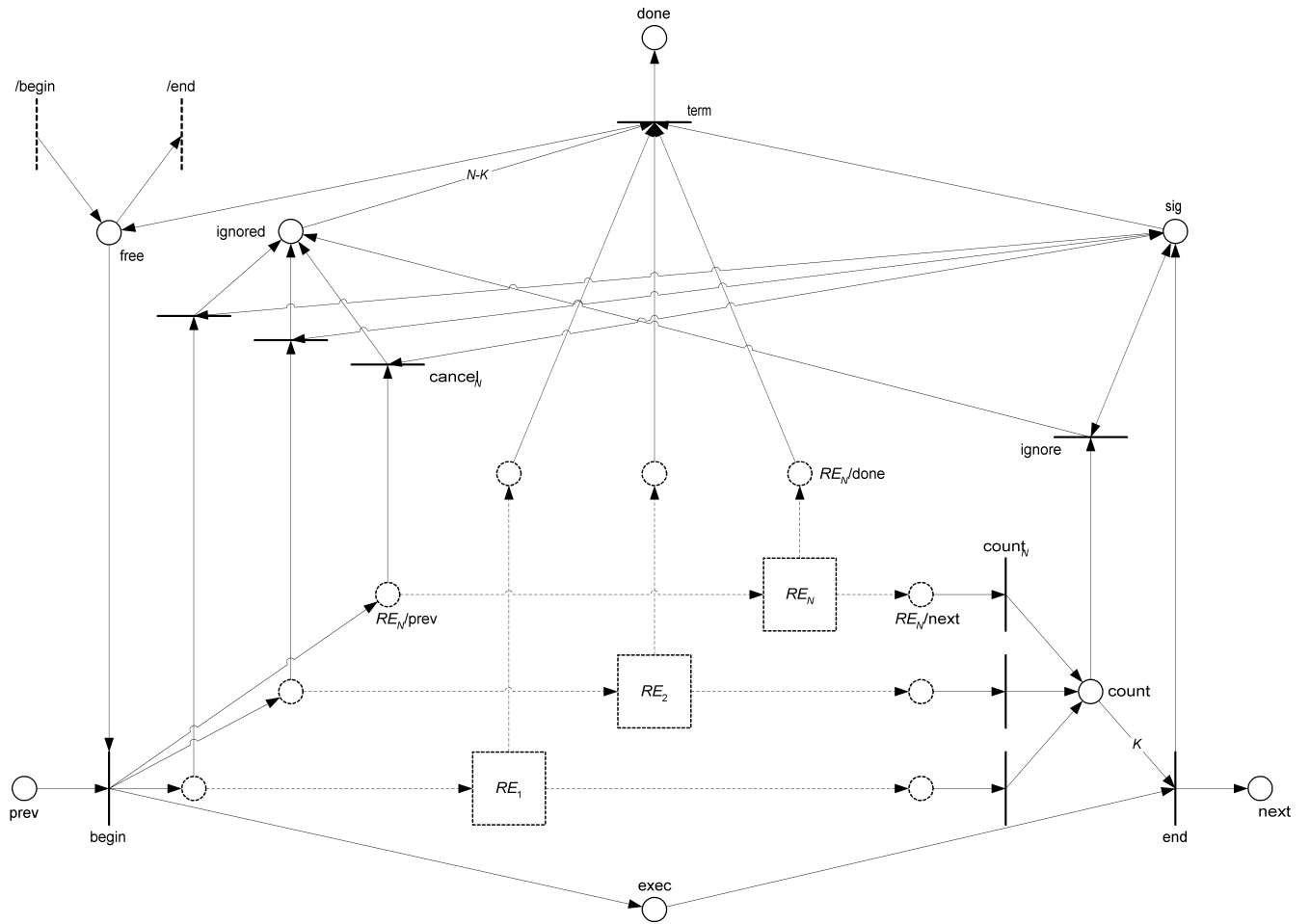
Parallel_no_sync



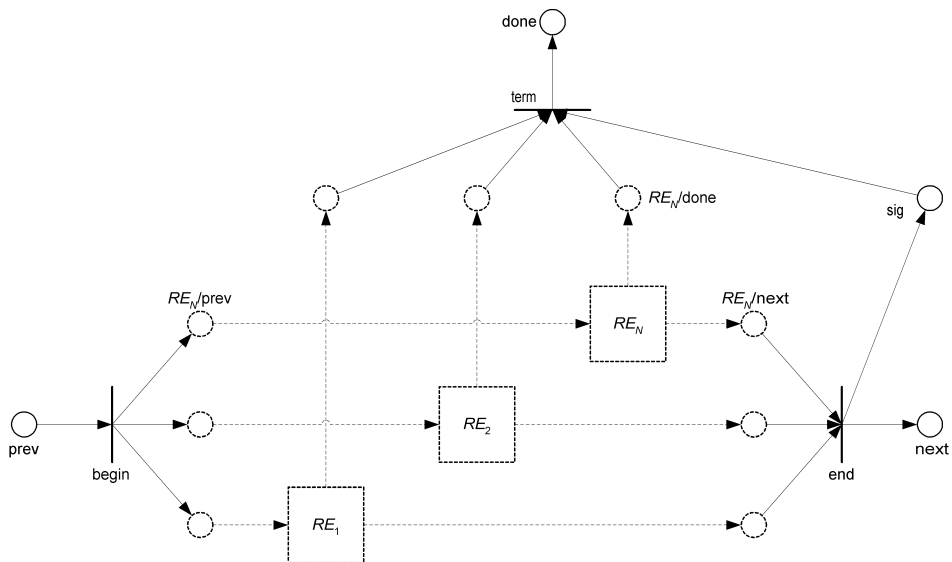
Parallel_part_sync



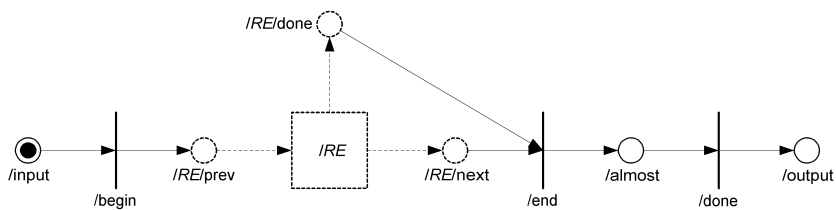
Parallel_part_sync_cancel



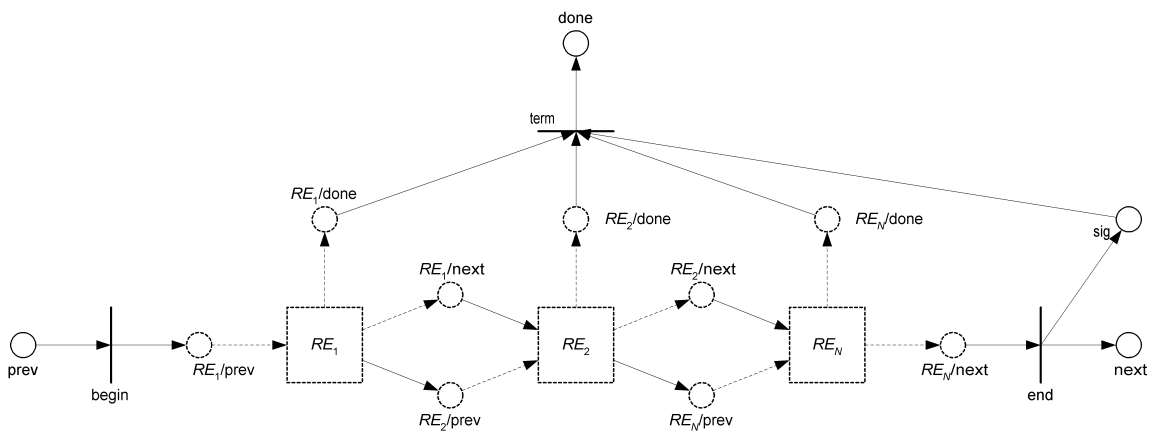
Parallel_sync



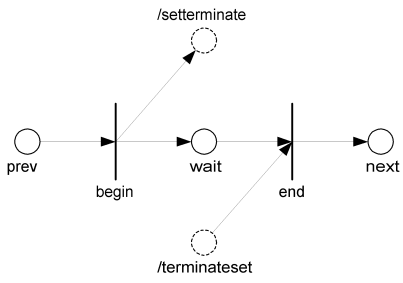
Route



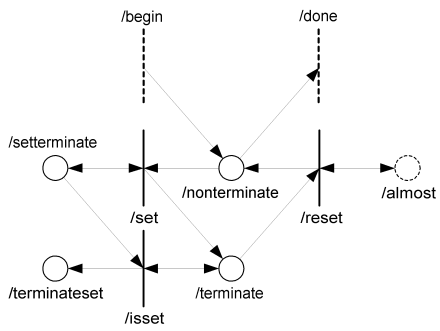
Sequence



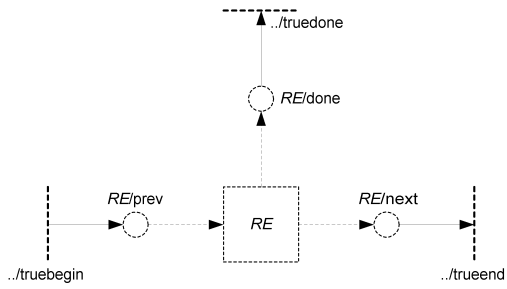
Terminate



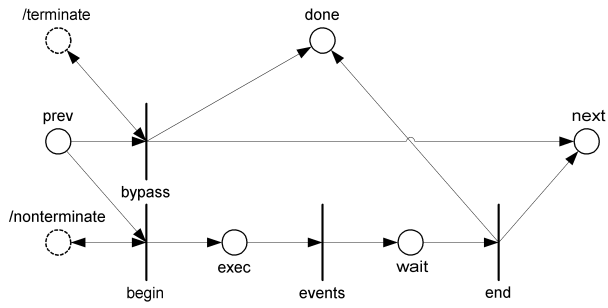
First occurrence



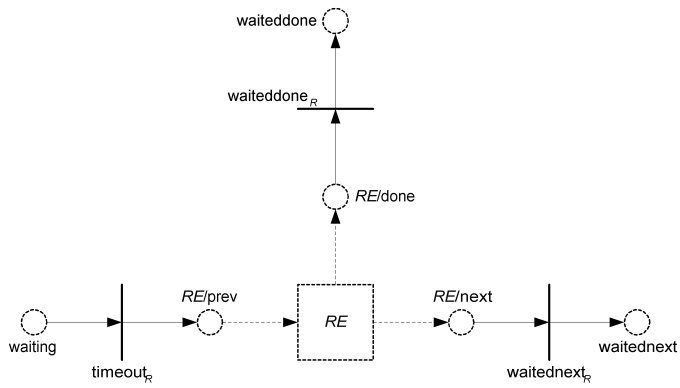
True/false



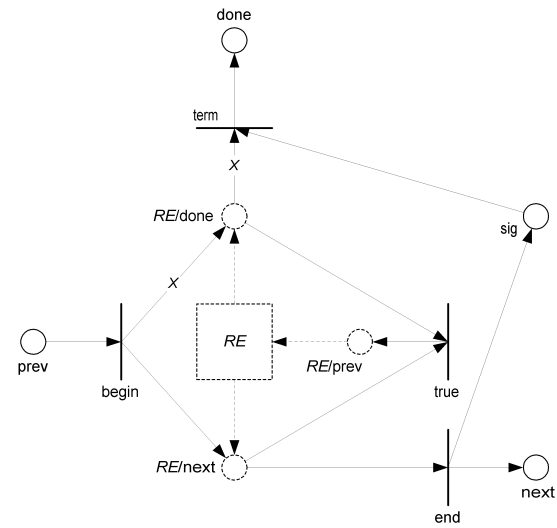
Task



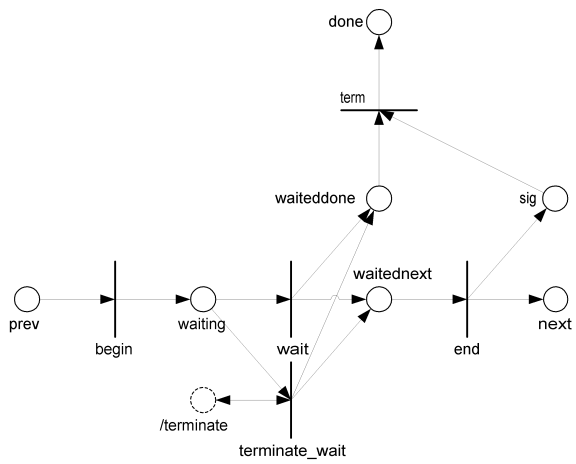
Timeout



While_do



Wait_all



Wait_any

